

# UXL1100-2FRi



## Features

- ❑ AGM Non-Spillable type
- ❑ Flame retardant container (UL94 V-0)
- ❑ Maintenance Free (No water topping required)
- ❑ Valve regulated
- ❑ Fitted with Explosion proof Filter
- ❑ No equalizing charge required
- ❑ Low self-discharge
- ❑ Easy handling
- ❑ Compact in size
- ❑ Conform to UN2800 special provision A67 in IATA Dangerous Goods Regulation and NOT to subject to IATA Dangerous Goods Regulations

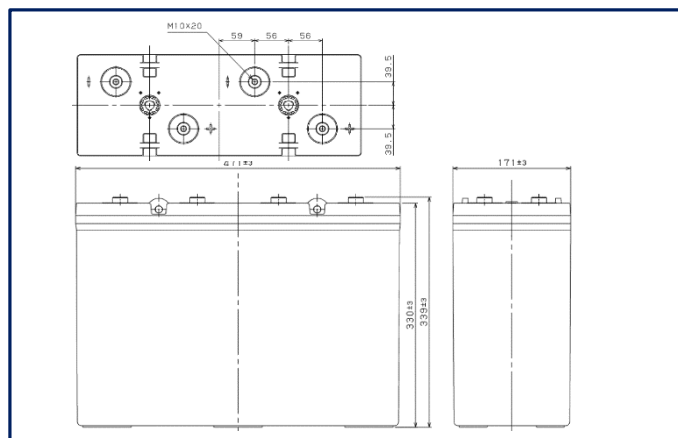
**Valve Regulated Lead Acid Battery**



## General Specification

Nominal Voltage (V)	2
Capacity (Ah/10HR)	1000
Dimension (mm)	Length 471 +/- 3 Width 171 +/- 3 Case Height 330 +/- 3 (Overall Height 339 +/- 3)
Terminal	Nut Insert Terminal (M10)
Approx. Weight (kgs)	69.2
Container	Flame Retardant ABS (UL94 V-0)
Design Life at 20°C	15 Years in Float Use
Maximum Continuous Discharge current	3000A for 3 minutes
Float Charging Voltage	2.23V/cell at 25°C

Maximum charging current	0.25CA
Operation Temperature	Charging : -15°C ~ 45°C Discharging : -15°C ~ 45°C Storage : -20°C ~ 50°C



## Discharge Performance at 25°C

F.V.	Unit	Discharge Time										
		1 min	5 min	10 min	15 min	30 min	1 h	2 h	3 h	5 h	8 h	10 h
1.80V	W	2808	2626	2323	2065	1598	1097	702	524	347	240	197
	A	1560	1447	1273	1130	858	576	364	270	179	122	100
1.75V	W	3061	2897	2530	2241	1654	1140	726	530	356	244	199
	A	1749	1636	1400	1234	892	601	377	274	183	125	101
1.70V	W	3450	3138	2646	2384	1711	1172	751	543	365	249	201
	A	2000	1800	1527	1318	928	621	392	282	189	127	102
1.67V	W	3653	3242	2808	2447	1759	1207	771	566	372	250	203
	A	2176	1884	1600	1360	958	634	398	288	190	128	103
1.65V	W	3674	3358	2854	2497	1791	1207	771	566	372	255	205
	A	2217	1987	1647	1403	978	642	403	294	192	130	104



GS Battery Vietnam Co. Ltd is fully own by GS Yuasa Japan. GS Yuasa is the world's second largest battery company and a 100+ year old Japanese corporation.